

Model CC330
Video To VGA Converter
User Manual



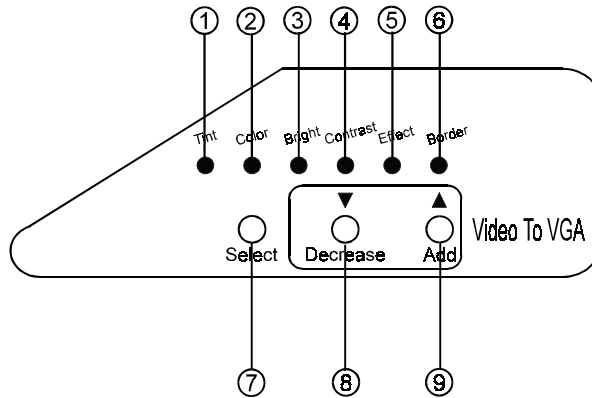
Firebird Systems, Inc.
Chatsworth, Ca 91311
USA
Telephone (818) 349-7999

Feature

- Operate in SECAM, PAL, PAL M, PAL N, NTSC 4.43, NTSC system automatically.
- High resolution.
- Palm size.
- Adjustable control on Color, Brightness, Contrast and NTSC Tint.

Operation Controls and Functions

Top panel



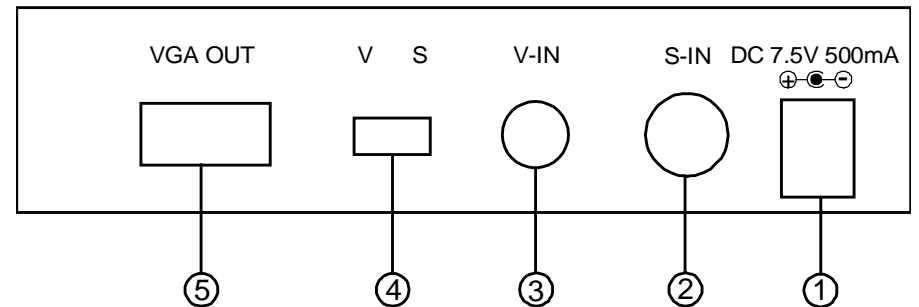
1. Tint indicator:
Light when Tint is adjusted (Valid only in NTSC system).
2. Color indicator:
Light when color is adjusted.
3. Bright indicator:
Light when Brightness is adjusted.
4. Contrast indicator:
Light when Contrast is adjusted.
5. Effect indicator:
Lights when any one of the built-in 5 effects is selected.

Effect will change when pushing decrease or add button
from Normal ⇄ Negative ⇄ Fade Red ⇄ Fade Green ⇄ Fade Blue
⇄ Paint ⇄ Normal

Operation Controls and Functions

6. Border indicator:
Lights when the border function is selected.
Border will change when pushing decrease or add button
from Normal ⇄ Red border ⇄ Green Border ⇄ Blue Border Normal
7. Select button:
Push the button to choose which function to be adjusted
from Tint → Color → Bright → Contrast → Effect → Border → Tint
8. Decrease button:
9. Add button:
 - ◆ Push decrease and add button together for more than 1 second will reset the machine.
 - ◆ When there is no signal input, the indicator 1~6 will light in sequence.

Rear panel



1. DC power supply input

2. S-Video input
3. Video input
4. S/Video input switch
5. VGA output

Specifications

Input signal:

- 1 Composite video: 1 Vp-p 75 ohm RCA jack.
- 1 S-Video : Y/C in ; 4 pin Din Connector

Output signal:

- 1 VGA: 0.7 Vp-p RGB, 15 pin D Femals Connector

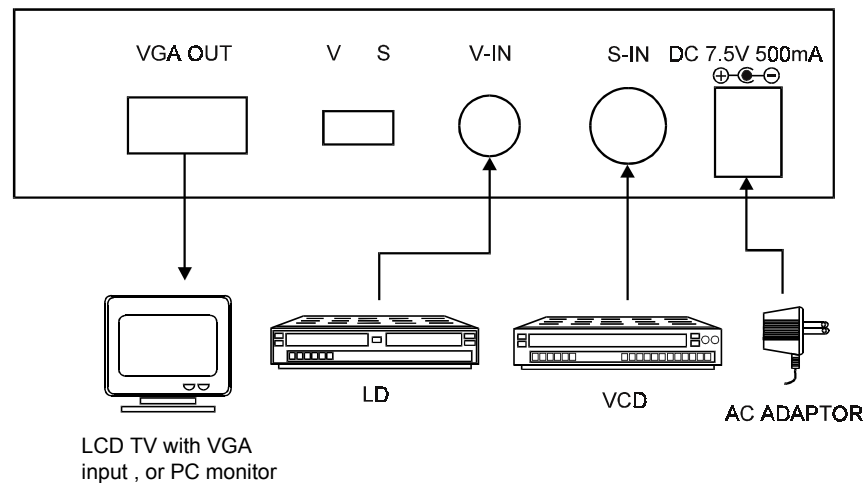
Power supply: DC 7.5V 500mA

Dimension: 145 (D) x 90 (W) x 33 (H)mm

Accessory: AC adaptor, One set of video cable

Weight: 0.2 kg

Connection and Installation



Video To VGA Converter

Operation Manual